

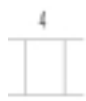
Pressure sequencing functions

General information regarding control cover for pressure sequencing functions

Normally notes					1	2	3	4	5	6	7	8	9	10
					LFA				6X	B				*

● = available

Nominal size					Type	Page	Adjuster type	Series	Note	Max. settable sequencing pressure in MPa	Pilot oil supply	Fluid	Further details in clear text
16	25	32	40	50									
●	●	●	●	●	DZ	87 to 89				21			
●	●	●	●	●	DZWA	90 to 92		6X	Technology of Beijing Huade Hydraulic	31.5		ordering details see pages 87 and 90	
●	●	●	●	●	DZWB								



Adjustment type for pressure sequence valves
 1 = Rotary knob
 2 = Hexagon with protective cap
 3 = Lockable rotary knob with scale (H-lock to automotive industry standards)
 4 = Rotary knob with scale not lockable

For seal kits see page 89 Attention!
 Control cover type LFA..DZ...are combined with 2-way cartridge valves type LC..DB... (for ordering details see page 32)

Directional spool valve (porting pattern to DIN 24 340 form A6)

Directional spool valve Type	NS	Catalogue sheet	Control cover
		RE no.	Type
4WE 6 D5XB/...	6		DZWA, DZWB



Series
 6X = Series 60 to 69 (unchanged installation and connection dimensions)
 Pressure:



210 = Max. sequencing pressure is 21.0 Mpa
 315 = Max. sequencing pressure is 31.5 Mpa
 350 = Max. sequencing pressure is 35.0 Mpa



Pilot oil supply
 No code =
 X = * } ordering details according to symbol
 Y = } (see pages 87 and 90)
 XY =

The orifices built into the control cover are screwed type orifices. These are standard orifices. No type is entered in the ordering code.



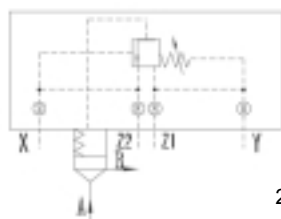
Symbol

Attention! Pilot valves (electrical directional spool valves type 4WE 6 D...) must be ordered separately, for further details see catalogue sheet RE 23 178.

Overview of symbols (basic symbols), pressure sequencing functions

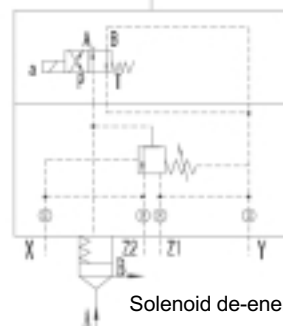
Valid symbols are shown in the following type descriptions !

Control cover with manual pressure adjustment and pressure dependent or pressure independent sequence function



210
 LFA...DZ-6XB/315
 350

Control cover with manual pressure adjustment



Solenoid de-energised: sequencing function
 210
 LFA...DZWA-6XB/315
 350

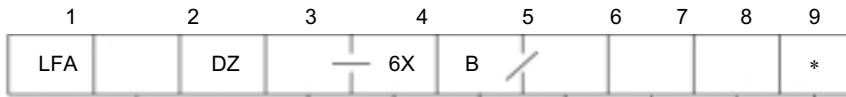


Solenoid de-energised: sequencing function
 210
 LFA...DZWB-6XB/315
 350

Control cover for pressure sequencing functions								
Technical data (for applications outside these parameters, please consult!)								
Pressue fluid	Mineral oil for NBR seals or phosphate ester for FPM sesls							
Pressue fluid temperature range (°C)	-20 to+80							
Viscosity range (mm²/s)	2.8 to 380							
Control cover								
Control cover type	LFA..DZ -6XB/...	LFA..DZW.-6XB/...						
		/...X	/...Y					
Max.operating pressure at port...		/...X	/...XY					
...X;...Z2	31.5MPa							
...Y	When controlling pressure	zero pressure (up to 0.2 Mpa)						
	Static	31.5MPa	16.0MPa(=) * 10.0MPa(~) *					
...Z1	When controlling pressure	zero pressure (up to 0.2 Mpa)						
	Static	31.5MPa	16.0MPa(=) * 10.0MPa(~) * 31.5MPa					
Settable sequencing pressure 21.0MPa	21.0MPa 31.5MPa 35.0MPa							
Directional spool valve (porting patten on A6 to DIN24340)								
O-rings dimensions for ports X, Y, Z1, Z2 (are included within the scope of supply)								
NS	Dimensions in mm	Material no.						
		NBR	FPM					
16	7.65 × 1.78	004 491	006 585					
25	9.25 × 1.78	007 111	009 097					
32	10.82 × 1.78	008 937	008 941					
40,50	12.37 × 2.62	004 489	008 949					
Seal kits for cartridge valves and control covers								
Seal kits for cartridge valves Type LC.. DB../... (NS 25 to 50)		Seal kit for control covers Type LFA.. /... (NS 25 to 50)						
Seal kit for...	Material no.		Seal kit for...					
	NBR	FPM						
LC25DB...6XB/...	314 354	314 355	Seal kit for...					
LC32DB...6XB/...	314 356	314 357						
LC40DB...6XB/...	314 055	314 046	Seal kit for...					
LC50DB...6XB/...	314 056	314 065						
Seal kit for...	25	32	40	50				
	NBR	FPM	NBR	FPM	NBR	FPM	NBR	FPM
DZ...	311 540		311 541		311 542		311 542	
ADZW...								
Fixing screws		Orifice thread size						
(are included within the scope of supply)		All built-in orifices: M6 tapered						
NS	Qty.	Dimensions	Tightening torque in mm					
16	4	M8 × 115	32					
25		M12 × 120	110					
32		M16 × 120	270					
40		M20 × 70	520					
50		M20 × 80	520					

Control cover for pressure sequencing functions

NS 16 to 50



Further details in clear text

Nominal size 16	= 16
Nominal size 25	= 25
Nominal size 32	= 32
Nominal size 40	= 40
Nominal size 50	= 50

Adjuster type

Rotary knob	= 1
Hexagon with protective cap	= 2
Lockable rotary knob with scale (H-lock to automotive industry standards)	= 3
Rotary knob with scale not lockable	= 4

Series 6X (60 to 69: unchanged installation and connection dimensions) = 6X

Technology of Beijing Huade Hydraulic = B

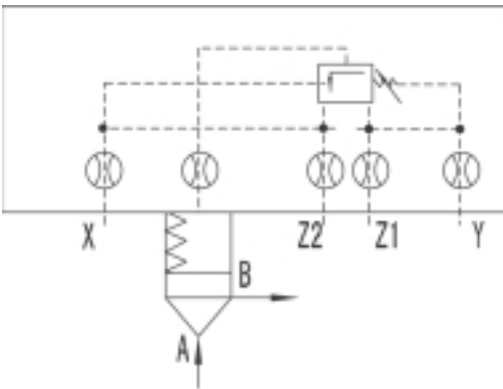
No code = Mineral oils
V = Phosphate ester

Pilot oil supply

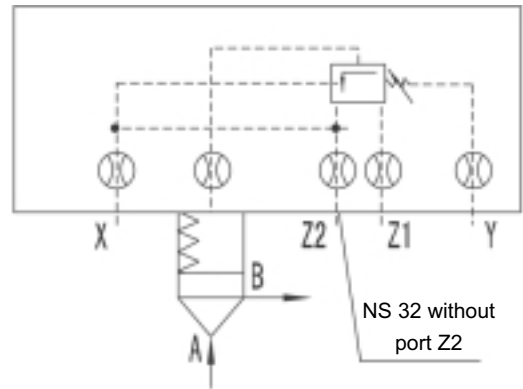
	Pilot oil supply	Pilot oil supply
No code =	internal	internal
X =	external	internal
Y =	internal	external
XY =	external	external

Pressure stages (max. settable sequencing pressure)

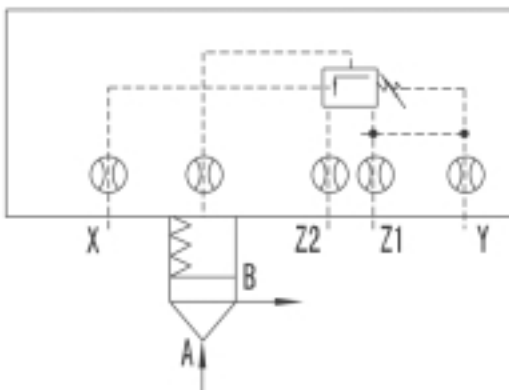
210 =	21.0 MPa
315 =	31.5 MPa
350 =	35.0 MPa



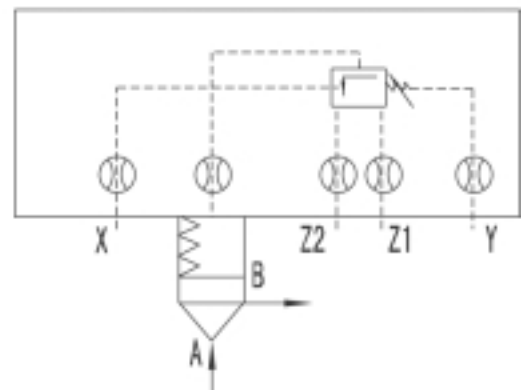
LFA...DZ.-6XB/
210
315
350



LFA...DZ.-6XB/
210
315 Y
350



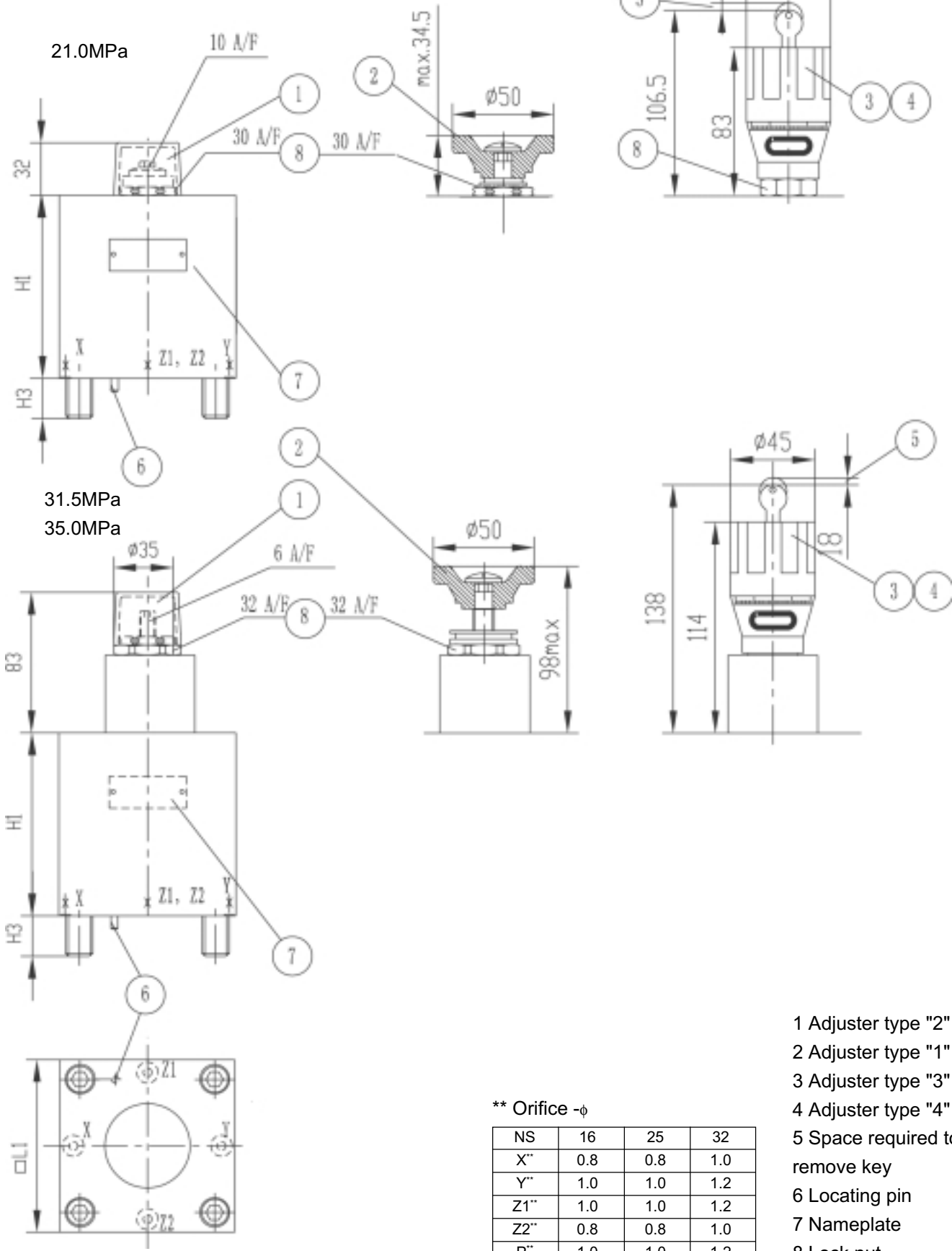
LFA...DZ.-6XB/
210
315 X
350



LFA...DZ.-6XB/
210
315 XY
350

Control cover for pressure sequencing functions

NS 16, 25, 32



- 1 Adjuster type "2"
- 2 Adjuster type "1"
- 3 Adjuster type "3"
- 4 Adjuster type "4"
- 5 Space required to remove key
- 6 Locating pin
- 7 Nameplate
- 8 Lock nut

** Orifice -φ

NS	16	25	32
X"	0.8	0.8	1.0
Y"	1.0	1.0	1.2
Z1"	1.0	1.0	1.2
Z2"	0.8	0.8	1.0
P"	1.0	1.0	1.2
H1	110	110	110
H3	16	24	28
□ L1	65	85	100

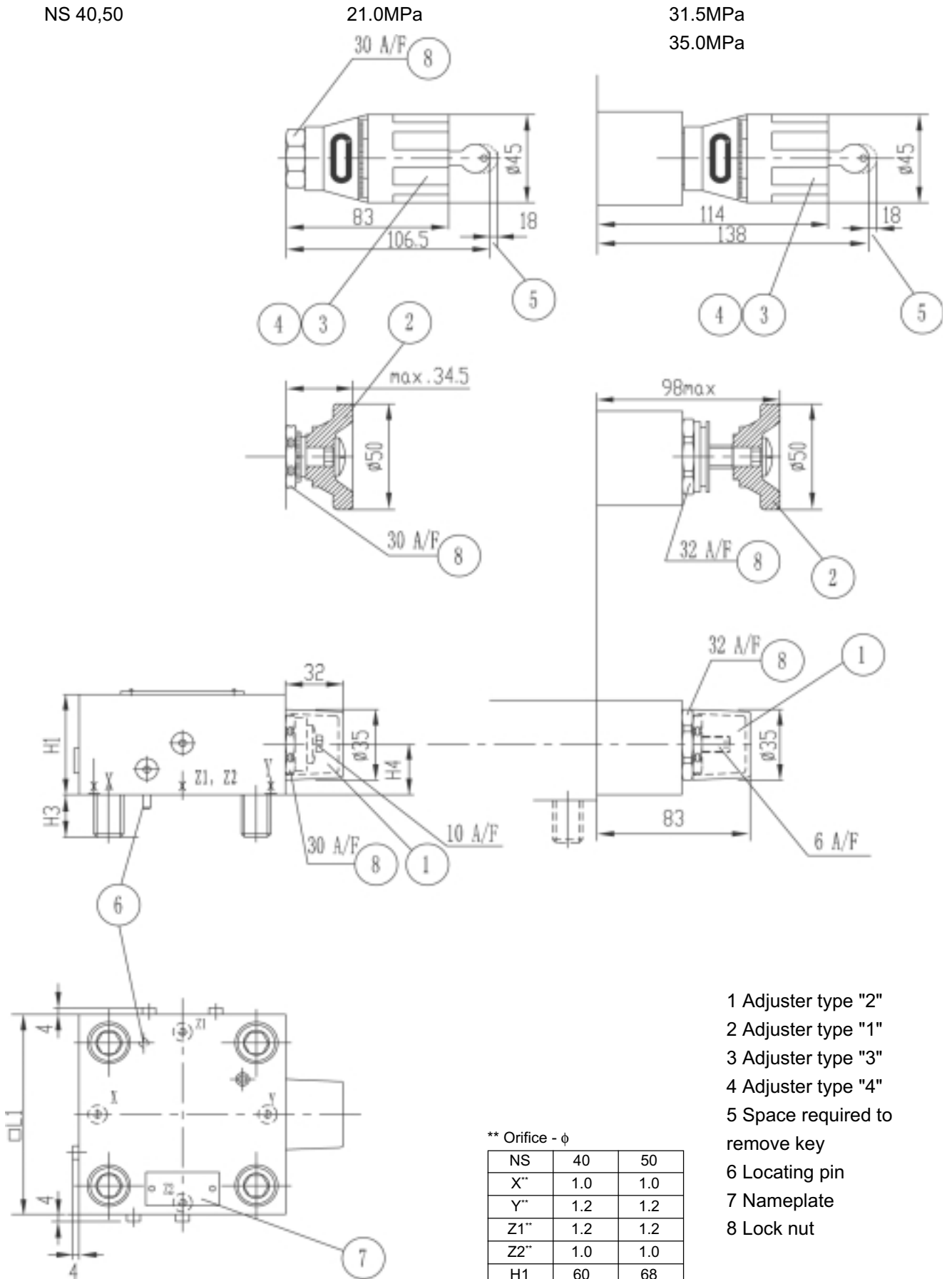
Control cover for pressure sequencing functions

NS 40,50

21.0MPa

31.5MPa

35.0MPa

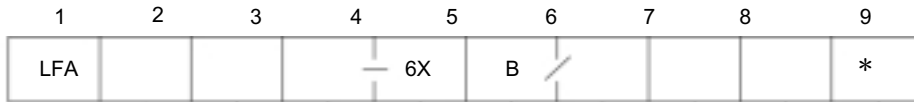


** Orifice - ϕ

NS	40	50
X"	1.0	1.0
Y"	1.2	1.2
Z1"	1.2	1.2
Z2"	1.0	1.0
H1	60	68
H3	32	34
H4	36	36
\square L1	125	140

Control cover for pressure-dependent and independent sequencing functions

NS 25 to 50



Nominal size 25 = 25
 Nominal size 32 = 32
 Nominal size 40 = 40
 Nominal size 50 = 50

Solenoid de-energised: pressure sequence function = DZWA
 Solenoid energised: open = DZWB
 Solenoid de-energised: open = DZWB
 Solenoid energised: pressure sequence function = DZWA

Adjuster type

Rotary knob = 1
 Hexagon with protective cap = 2
 Lockable rotary knob with scale = 3
 (H-lock to automotive industry standards)
 Rotary knob with scale not lockable = 4

Series 6X (60 to 69: unchanged installation and connection dimensions) = 6X

Technology of Beijing Huade Hydraulic = B

Further detail in clear text

No code = Mineral oils
 V = Phosphate ester

Pilot oil supply

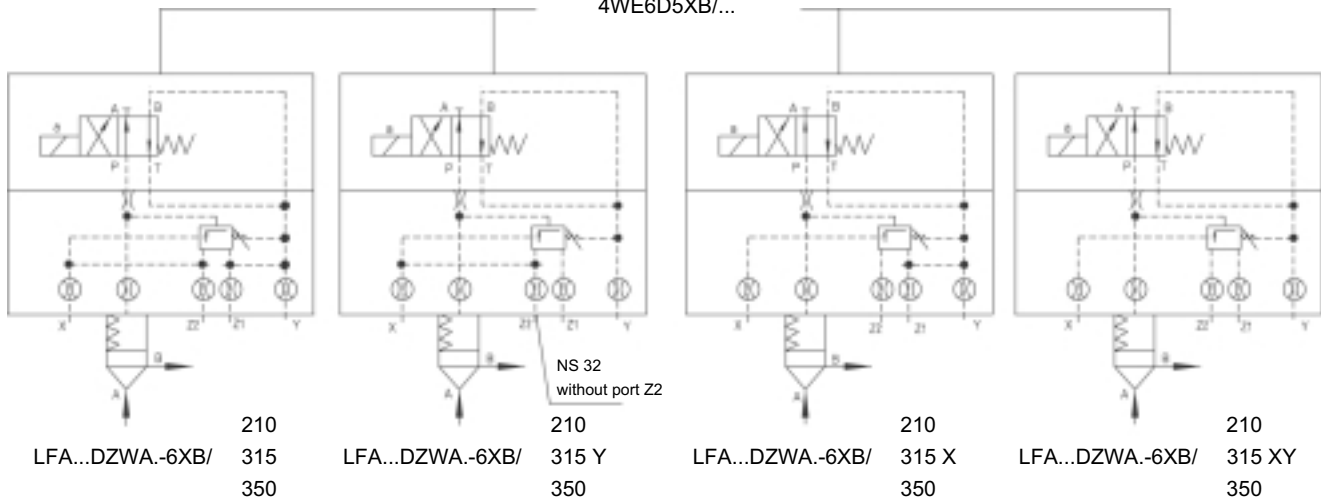
	Pilot oil supply	Pilot oil supply
No code =	internal	internal
X =	external	internal
Y =	internal	external
XY =	external	external

Pressure stages

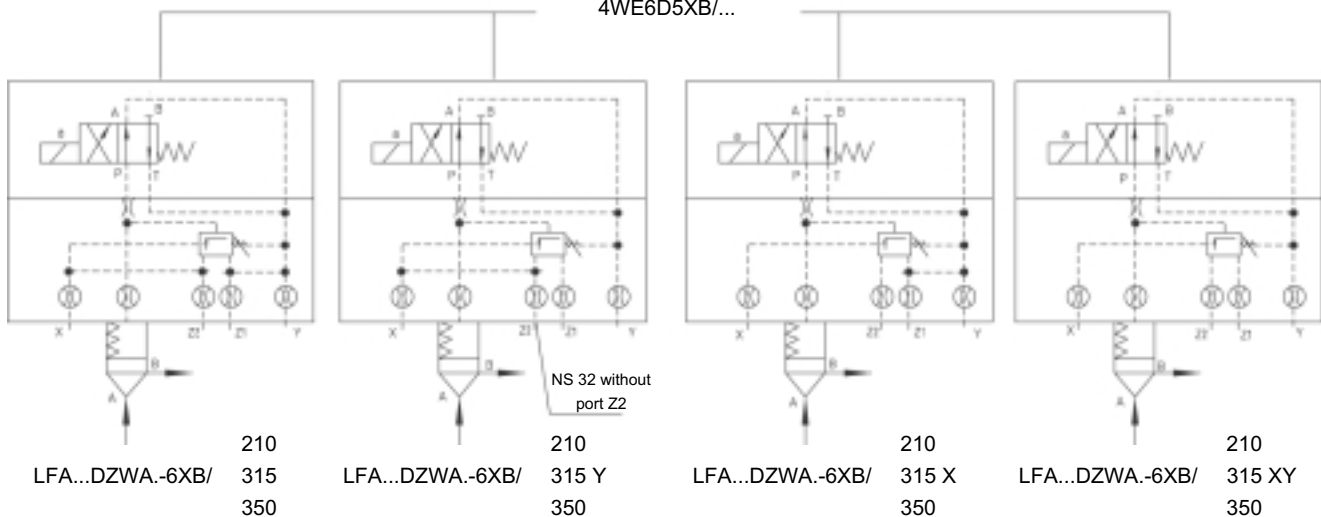
(max. settable sequencing pressure)

210 = 21.0 MPa
 315 = 31.5 MPa
 350 = 35.0 MPa

4WE6D5XB/...



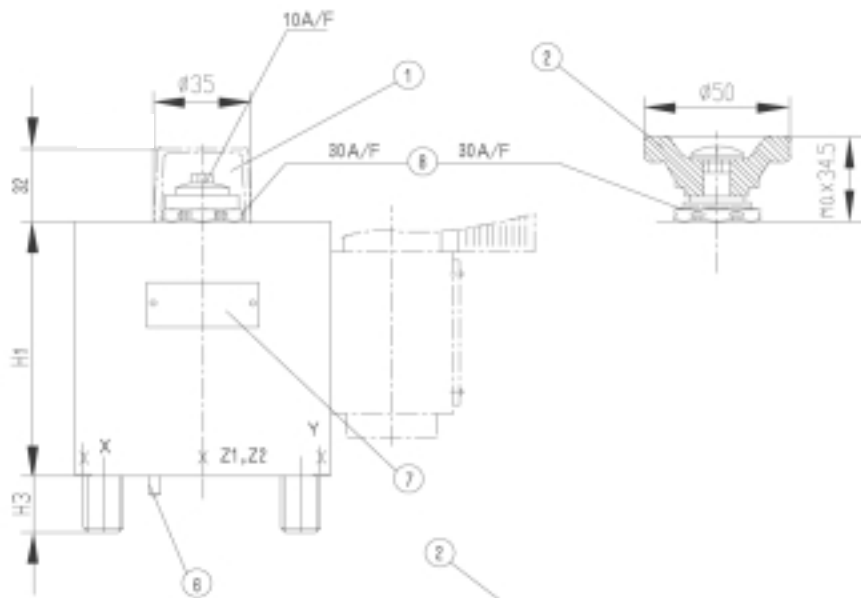
4WE6D5XB/...



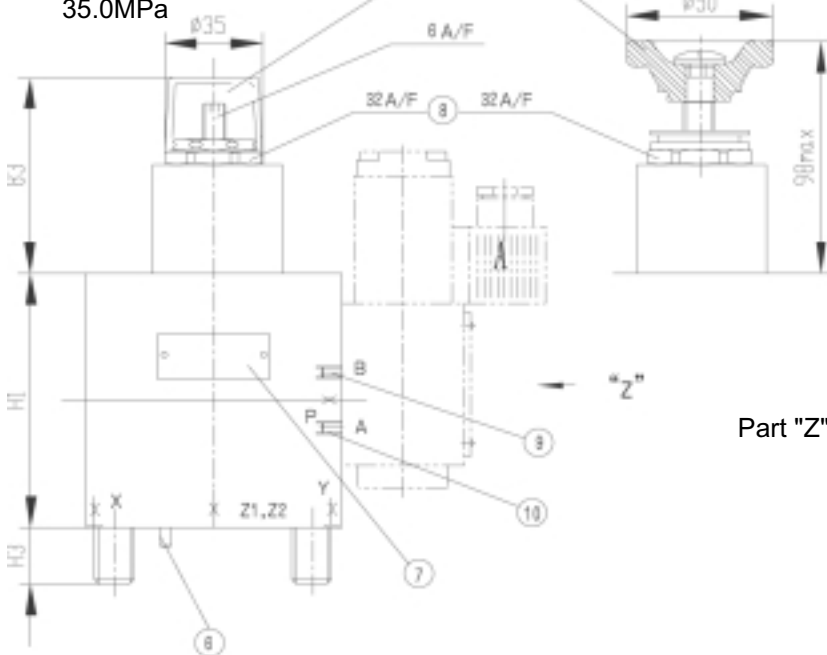
Control cover for pressure-dependent and independent sequencing functions

NS 16,25,32

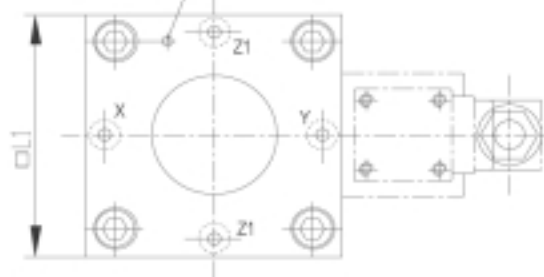
21.0MPa



31.5MPa
35.0MPa



Part "Z"



** Orifice - ϕ

NS	16	25	32
X"	0.8	0.8	1.0
Y"	1.0	1.0	1.2
Z1"	1.0	1.0	1.2
Z2"	0.8	0.8	1.0
P"	1.0	1.0	1.2
H1	110	110	110
H2	40	40	40
H3	16	24	28
□ L1	65	85	100

- 1 Adjuster type "2"
 - 2 Adjuster type "1"
 - 3 Adjuster type "3"
 - 4 Adjuster type "4"
 - 5 Space required to remove key
 - 6 Locating pin
 - 7 Nameplate
 - 8 Lock nut
 - 9 Plug M6 tapered for DZWA..
 - 10 Plug M6 tapered for DZWB..
- (Valve fixing screws are included within the control cover scope of supply)

注 意 事 项

- 1 液压系统用的介质必须过滤；过滤精度至少 20 μ m。
- 2 液压系统用的油箱必须密封；并加空气过滤器。
- 3 本厂产品出厂时不带底板。(如需用请订货)。
- 4 固定螺栓请按样本中列的参数选用。
- 5 与阀连接的表面粗糙度要求 $\frac{0.8}{\nabla}$ 。
- 6 与阀连接的平面度要求 0.01/100mm。